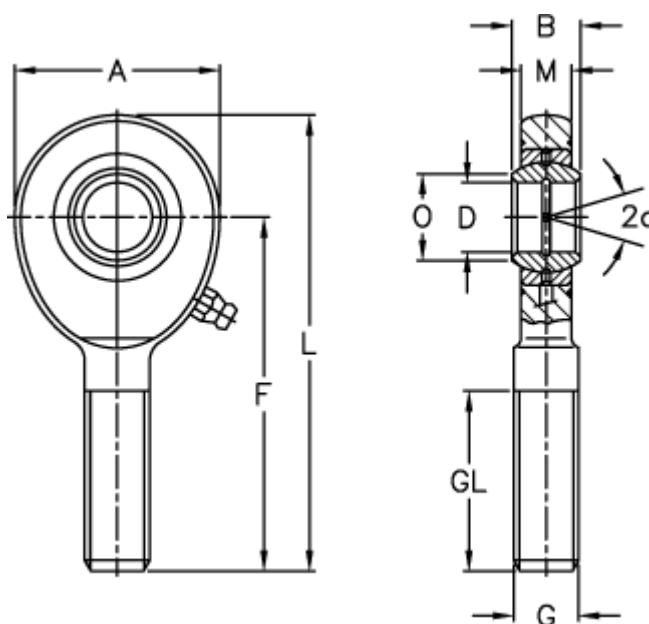


Article number: 03483060
 Description: Fluro Rod end EAL 60-2RS
 Note: 60

Measures



A	= 135	L	= 277.5
a (degrees)	= 6	M	= 38
B	= 44	O	= 66.8
D	= 60	Static drive kN	= 497
Dynamic drive (kN)	= 245	Weight	= 5900
F	= 210		
g	= M52x3		
GL	= 115		